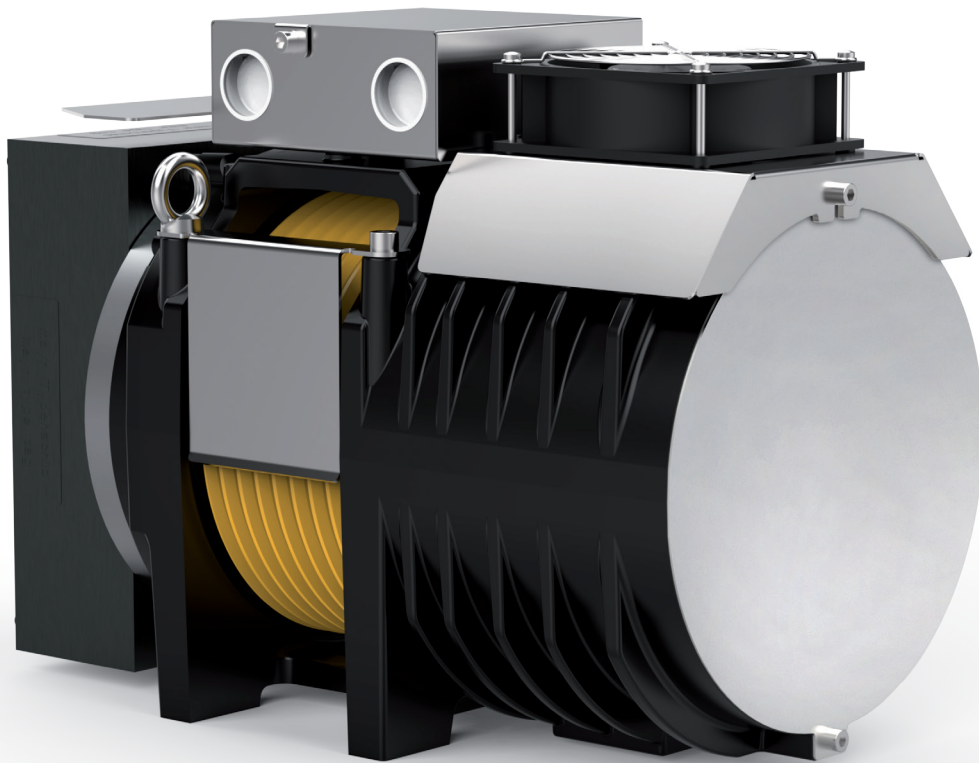


SGS6

GEARLESS MACHINES



Model	For rated loads up to [kg]	Car speed range in 2:1 [m/s]	Traction sheaves diameter range [mm]	Max Static Load [kN-kg]
SGS6	800	0,15 ... 1,00	120(*), 160(*), 200, 210	19,6-2000

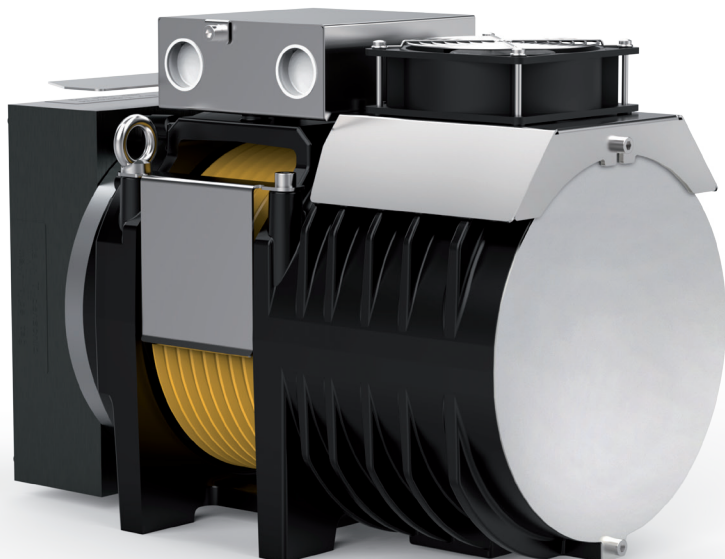
With central sheave. (for systems with cantilever arches, with gauges guides and reduced headrooms).

* Pu-coated ropes.

Highlighted pulley diameter is the one used to calculate max allowed capacity in standard condition (see calculation for each model). Sample data; for more detailed evaluations we recommend our product configurator.



Rated Torque **145 Nm (S3 40%)**
 Braking Torque **2x180 Nm**
 Power Range (min - max) **0,9 - 4,8 kW**
 Maximum Static Load **19,6 kN - 2000 kg**
 Maximum Weight **100 kg**
 Motor Rated Voltage **360 V - 208 V**



CONFIGURATION EXAMPLES TABLE**

Model	Ø Traction sheave	Car speed	Q Rated load	P Car weight	rpm	P ***	I ***	Installation frequency	Ropes Nr x diameter Ø
	[mm]	[m/s]	[kg]	[kg]	[min ⁻¹]	[kW]	[A]	[Hz]	[mm]
SGS6135B	120	0,15	800	950	62	0,73	3,8	11,0	4 x Ø 6,5 (*)
SGS6135B	120	0,63	800	950	240	3,12	10,9	46,5	4 x Ø 6,5 (*)
SGS6135B	120	1,00	675	930	320	4,24	12	74,2	4 x Ø 6,5 (*)
SGS6135B	160	0,15	675	930	62	0,61	4,4	8,4	4 x Ø 6,5 (*)
SGS6135B	160	0,63	480	700	240	1,91	8,8	35,1	3 x Ø 6,5 (*)
SGS6135B	160	1,00	480	700	240	3,10	9,1	55,9	4 x Ø 6,5 (*)
SGS6135B	200	0,15	480	700	62	0,51	4,4	6,7	5 x Ø 6,5
SGS6135B	200	0,63	400	600	124	1,86	6,0	27,9	5 x Ø 6,5
SGS6135B	200	1,00	320	500	240	2,48	9	44,6	6 x Ø 6,5
SGS6135B	210	0,15	400	550	62	0,42	3,8	6,3	4 x Ø 6,5
SGS6135B	210	0,63	400	600	124	1,84	6,3	26,6	5 x Ø 6,5
SGS6135B	210	1,00	320	500	240	2,48	9,5	42,5	5 x Ø 6,5

Configurations specifications

Harmonized standards of reference	EN 81-20 e EN 81-50
Roping	2:1 - Conventional Single Wrap
Machine position	Top
Compartment efficiency	0,9
Nr of deflection pulleys on ball bearings	2 for rated load ≤ 1000 kg 3 for rated load > 1000 kg
Counterweight balancing	50%
Travel height	30 m
Duty cycle	S3 40%
Starts/hour	180
Wrap angle	180°
Acceleration	0,1m/s ² for car speed ≤ 0,15 m/s 0,3+0,5m/s ² for car speed ≤ 1 m/s 0,5+0,7m/s ² for car speed > 1 m/s

Refer to the product configurator for the value of the short circuit torque, the relative speed and the minimum voltage that allows the operation of gearless machine.

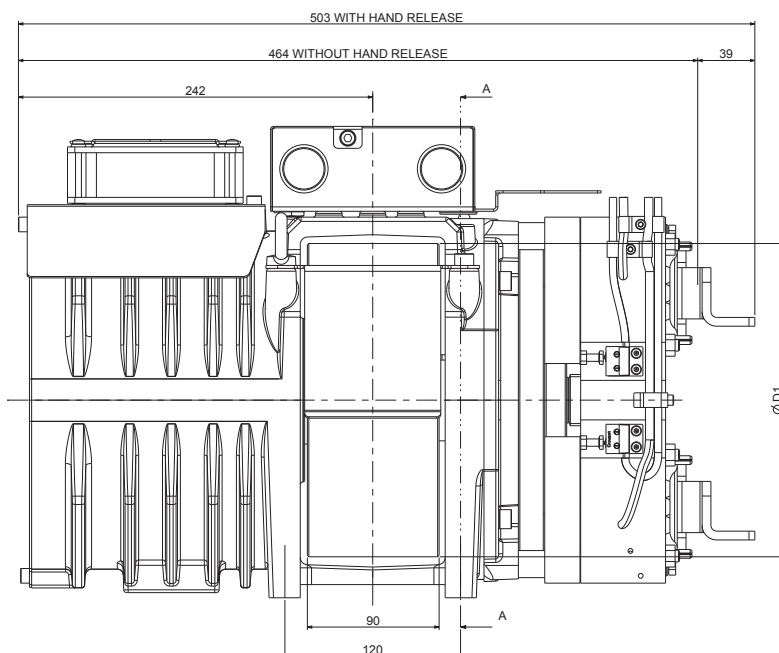
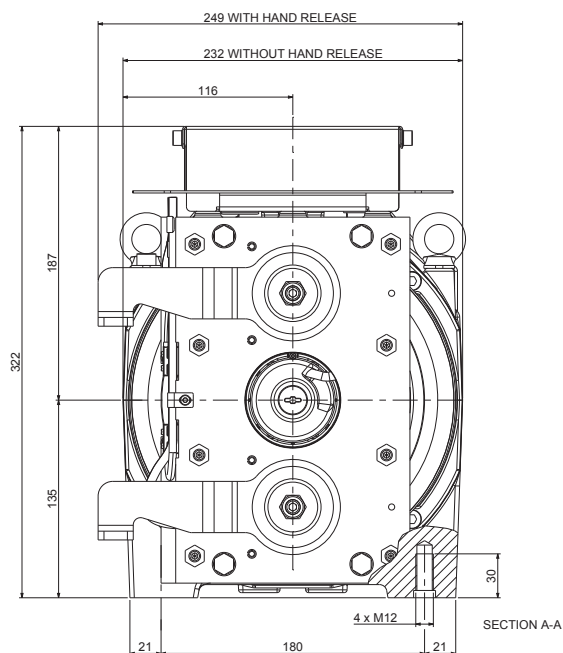
* Pu-coated ropes

** Sample data; for more detailed evaluations we recommend our product configurator.

*** Values referred to configuration table (360V)

SGS6 - DIMENSIONS

Mod. SGS6135B



Ø D1	Max Weight	Inertia	Roping System	Torque S3 40%	Max Static Load	Max Power **
[mm]	[kg]	[kgm]		[Nm]	[kg]	[kW]
120	100	0,07	CSW *	145	19,6 - 2000	4,8
160		0,08				
200		0,12				
210		0,15				

Brake Specifications

Braking Torque: 2x180 [Nm]
Standard Supply Voltage: 207 [V DC]
Power: 2x68 [W]
Degree of Protection: IP10

Standard Encoder Data

Type: Absolute EnDat
Model: Heidenhain ECN 1313
Positions values/rev: 2048 imp 13 bits
Degree of Protection: IP40
Standard Cable Length: 10 [m]

Ventilation data

Voltage: 230 [V]
Power: 1x16 [W]

* CSW: Conventional single wrap.

** Sample data; for more detailed evaluations we recommend our product configurator.



Sicor S.R.L.

Viale Caproni, 32 Rovereto (TN) - Italy • Tel: +39 0464 484 111 • info@sicoritaly.com

www.sicoritaly.com