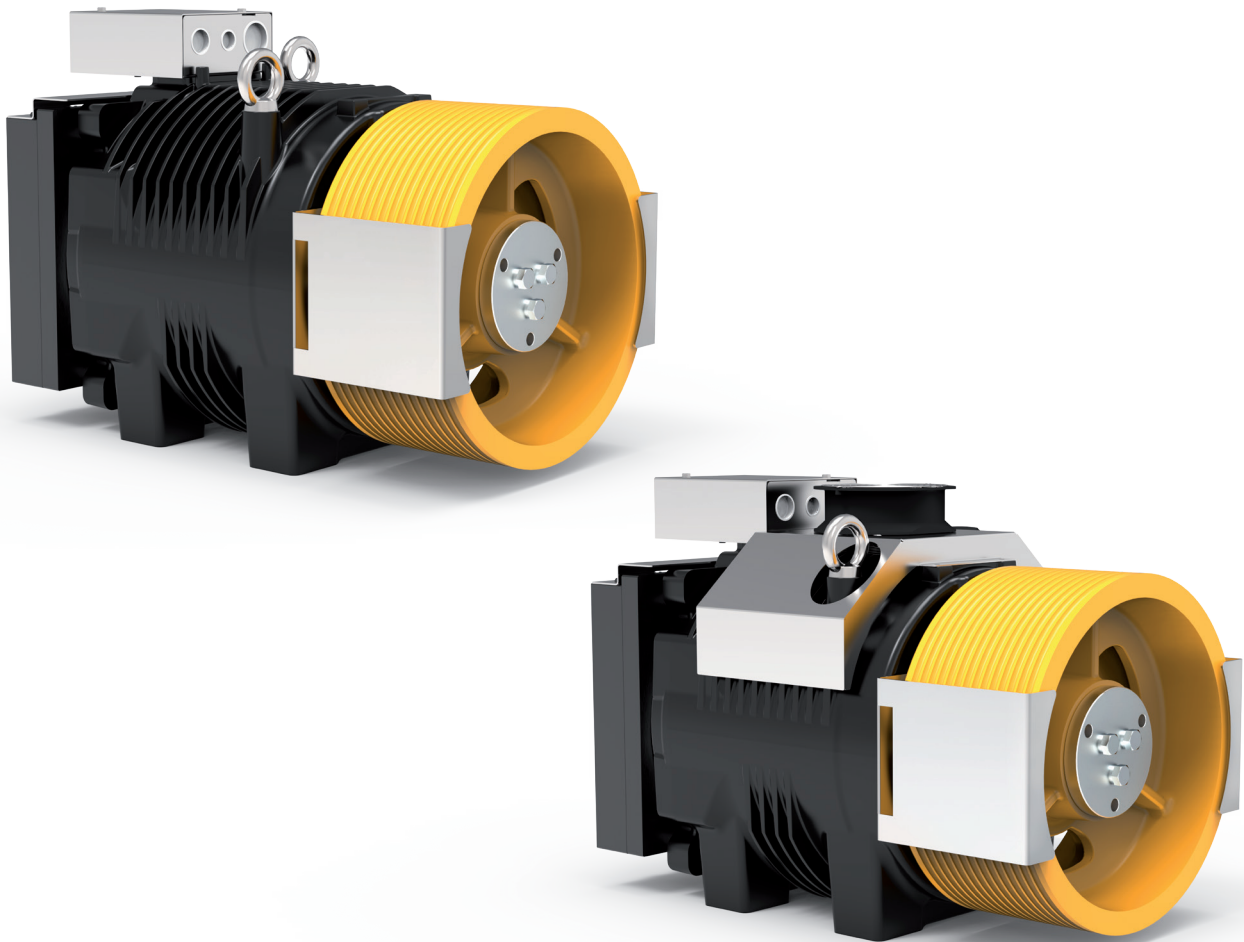
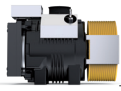


SG62

GEARLESS MACHINES



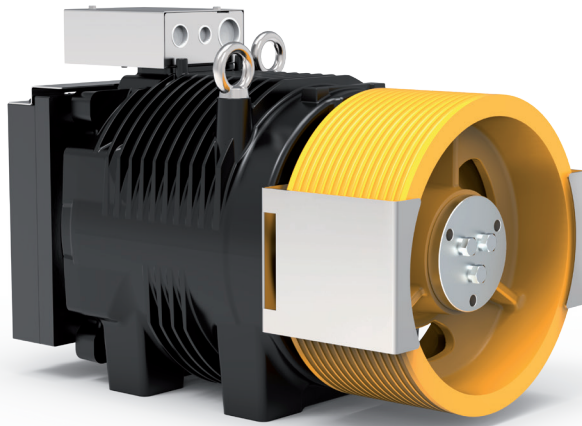
Model	For rated loads up to [kg]	Car speed range in 2:1 [m/s]	Traction sheaves diameter range [mm]	Max Static Load [kN-kg]
SG62 	2000	0,63 ... 2,50	320, 360, 400 , 440, 480, 520, 600	54-5500

With sheave on drive side.

* Pu-coated ropes.

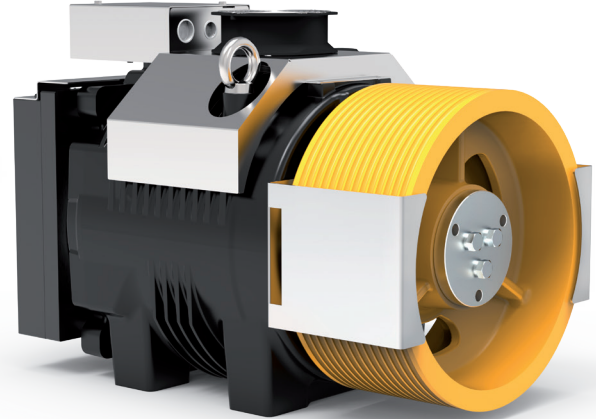
Highlighted pulley diameter is the one used to calculate max allowed capacity in standard condition (see calculation for each model). Sample data; for more detailed evaluations we recommend our product configurator.





SG62 Gearless without fan kit

Rated Torque **1310 Nm SG62F (S3 40%)**
 Braking Torque **2x1200 Nm**
 Power Range (min - max) **5,5 - 32,9 kW**
 Maximum Static Load **54 kN - 5500 kg**
 Maximum Weight **520 kg**
 Motor Rated Voltage **360 V**



SG62F Gearless with fan kit

CONFIGURATION EXAMPLES TABLE**

Model	Ø Traction sheave	Car speed	Q Rated load	P Car weight	rpm	P ***	I ***	Installation frequency	Ropes Nr x diameter Ø
	[mm]	[m/s]	[kg]	[kg]	[min ⁻¹]	[kW]	[A]	[Hz]	[mm]
SG62220A	320	0,63	2000	1650	96	8,56	27,2	18,8	12 x Ø 8
SG62220A	320	1,00	2000	1650	144	13,68	40,7	29,7	13 x Ø 8
SG62220AF	320	1,60	2000	1650	192	22,24	54,0	47,7	14 x Ø 8
SG62220AF	360	0,63	2000	1650	96	8,34	29,9	16,7	10 x Ø 8
SG62220AF	360	1,00	2000	1650	144	13,62	45,3	26,6	12 x Ø 8
SG62220AF	360	1,60	2000	1650	192	22,24	60,8	42,4	14 x Ø 8
SG62220AF	360	2,00	2000	1650	240	27,80	75,0	53	14 x Ø 8
SG62220AF	400	0,63	2000	1650	96	8,57	34,2	15	8 x Ø 10
SG62220AF	400	1,00	2000	1650	96	13,60	34,2	23,8	8 x Ø 10
SG62220AF	400	1,60	1600	1600	192	18,48	56,2	38,1	9 x Ø 10
SG62220AF	400	2,00	1600	1600	192	23,65	57,5	47,7	10 x Ø 10
SG62220A	400	2,50	1275	1400	240	23,61	56,5	59,7	8 x Ø 10
SG62220AF	440	0,63	1600	1600	96	6,77	29,8	13,6	6 x Ø 10
SG62220AF	440	1,00	1600	1600	96	11,14	30,7	21,7	6 x Ø 11
SG62220AF	440	1,60	1600	1600	144	18,31	46,7	34,7	7 x Ø 11
SG62220AF	440	2,00	1275	1400	192	18,56	49,4	43,5	6 x Ø 11
SG62220AF	440	2,50	1275	1400	240	23,12	61,0	54,2	6 x Ø 11
SG62220AF	480	0,63	1600	1600	96	6,80	32,6	12,5	5 x Ø 11
SG62220AF	480	1,00	1600	1600	96	10,81	32,5	19,9	6 x Ø 10
SG62220AF	480	1,60	1275	1400	144	14,27	39,7	31,8	6 x Ø 10
SG62220AF	480	2,00	1275	1400	192	17,81	52,0	39,7	6 x Ø 10
SG62220AF	480	2,50	1275	1400	240	23,18	66,5	49,8	6 x Ø 11
SG62220AF	520	0,63	1600	1600	48	6,61	19,0	11,5	5 x Ø 10
SG62220AF	520	1,00	1275	1400	96	8,69	28,2	18,4	5 x Ø 10
SG62220AF	520	1,60	1275	1400	144	14,27	43,1	29,3	5 x Ø 11
SG62220AF	520	2,00	1275	1400	192	17,93	56,5	36,8	5 x Ø 11
SG62220AF	520	2,50	1000	1200	192	17,69	44,7	46	5 x Ø 10
SG62220AF	600	0,63	1275	1400	48	5,28	17,5	10	4 x Ø 10
SG62220AF	600	1,00	1275	1400	96	8,40	31,6	15,9	4 x Ø 10
SG62220AF	600	1,60	1000	1200	144	10,88	37,9	25,4	4 x Ø 10
SG62220AF	600	2,00	1000	1200	144	13,62	37,9	31,8	4 x Ø 10
SG62220AF	600	2,50	1000	1200	192	17,61	51,3	39,8	4 x Ø 11

Configurations specifications	
Harmonized standards of reference	EN 81-20 e EN 81-50
Roping	2:1 - Conventional Single Wrap
Machine position	Top
Compartment efficiency	0,9
Nr of defecti on pulleys on ball bearing	2 for rated load ≤ 1000 kg - 3 for rated load > 1000 kg
Counterweight balancing	50%
Travel height	30 m
Duty cycle	S3 40%
Starts/hour	180
Wrap angle	180°
Acceleration	0,3±0,5m/s ² for car speed ≤ 1 m/s - 0,5±0,7m/s ² for car speed > 1 m/s

Refer to the product configurator for the value of the short circuit torque, the relative speed and the minimum voltage that allows the operation of gearless machine.

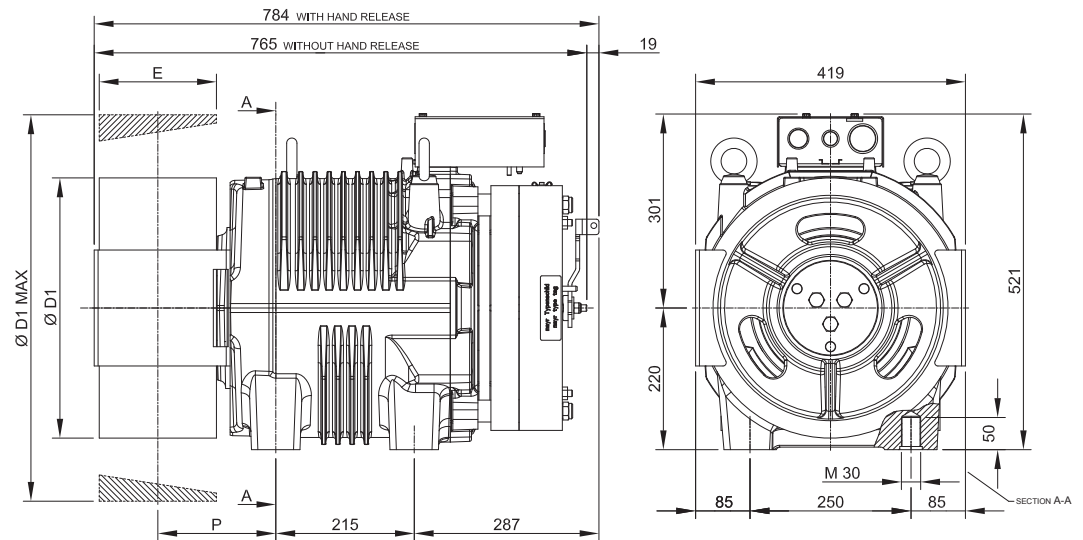
* Pu-coated ropes

** Sample data; for more detailed evaluations we recommend our product configurator.

*** Values referred to configuration table (360V)

SG62 - DIMENSIONS

Mod. SG62220A



Ø D1	E	P	Max Weight	Inertia	Roping System	Torque S3 40%	Max Static Load	Max Power **
[mm]	[mm]	[mm]	[kg]	[kgm ²]		[Nm]	[kN - kg]	[kW]
320	182	184	517	1,68	CSW *	1090	54 - 5500	27,4
360				2,10				
400				2,66				
440				3,33				
480				3,72				
520	150	168		4,30				
600				6,88				

Brake Specifications

Braking Torque: 2x1200 [Nm]

Standard Supply Voltage: 207 [V DC]

Power: 2x158 [W]

Degree of Protection: IP10

Standard Encoder Data

Type: Absolute EnDat

Model: Heidenhain ECN 1313

Positions values/rev: 2048 imp 13 bits

Degree of Protection: IP40

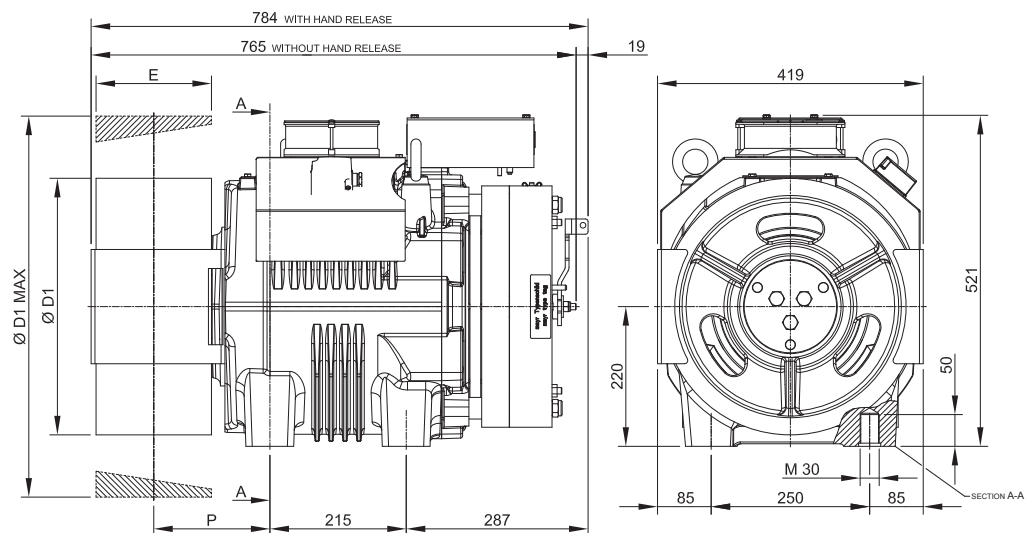
Standard Cable Length: 10 [m]

* CSW: Conventional single wrap.

** Sample data; for more detailed evaluations we recommend our product configurator.

SG62F - DIMENSIONS

Mod. SG62220AF



Ø D1	E	P	Max Weight	Inertia	Roping System	Torque S3 40%	Max Static Load	Max Power **
[mm]	[mm]	[mm]	[kg]	[kgm ²]		[Nm]	[kN - kg]	[kW]
320	182	184	520	1,68	CSW *	1310	54 - 5500	32,9
360				2,10				
400				2,66				
440				3,33				
480				3,72				
520	150	168		4,30				
600				6,88				

Brake Specifications

Braking Torque: 2x1200 [Nm]

Standard Supply Voltage: 207 [V DC]

Power: 2x158 [W]

Degree of Protection: IP10

Standard Encoder Data

Type: Absolute EnDat

Model: Heidenhain ECN 1313

Positions values/rev: 2048 imp 13 bits

Degree of Protection: IP40

Standard Cable Length: 10 [m]

Ventilation data

Voltage: 220 [V]

Power: 1x38 [W]

* CSW: Conventional single wrap.

** Sample data; for more detailed evaluations we recommend our product configurator.



Sicor S.R.L.

Viale Caproni, 32 Rovereto (TN) - Italy • Tel: +39 0464 484 111 • info@sicoritaly.com

www.sicoritaly.com