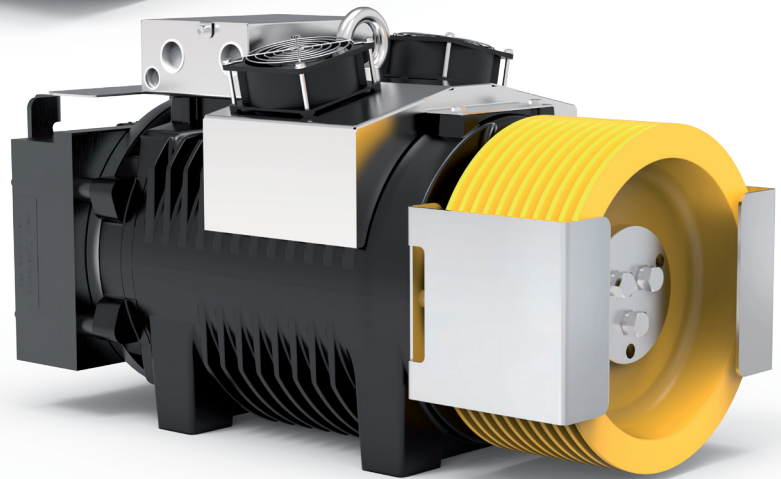
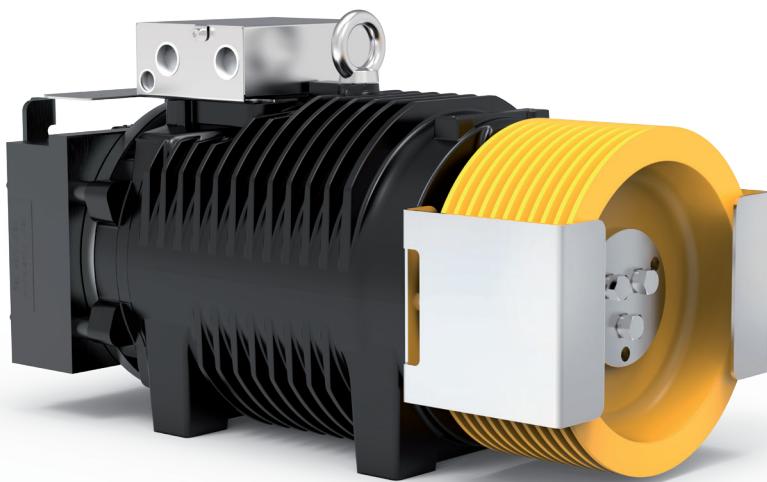



# SG38 - SG38F

## GEARLESS MACHINES



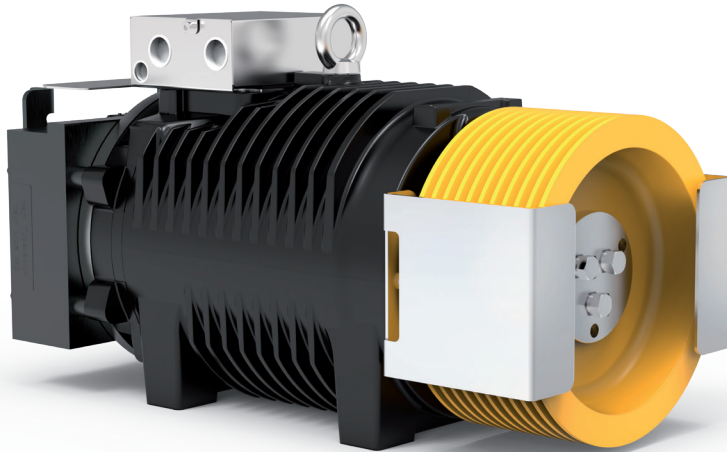
Model	For rated loads up to [kg]	Car speed range in 2:1 [m/s]	Traction sheaves diameter range [mm]	Max Static Load [kN-kg]
<b>SG38</b> 	<b>2000</b>	0,63 ... 2,50	<b>120(*)</b> , 160(*), 200, 210, 240, 270, 320, 360, 400, 480, 520	34,3-3500

With sheave on drive side.

\* Pu-coated ropes.

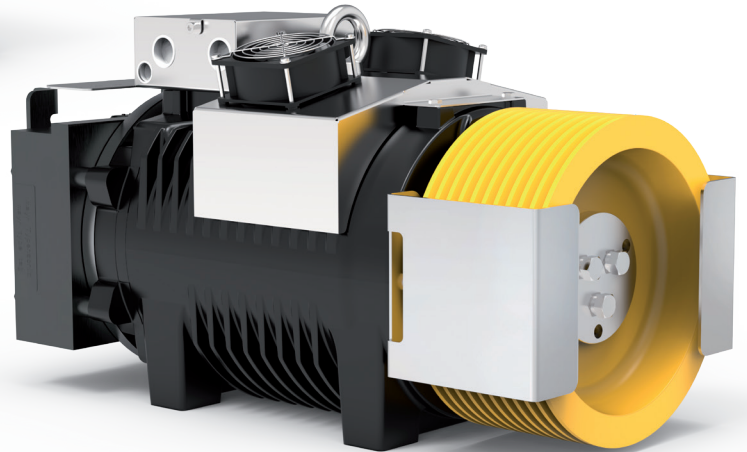
Highlighted pulley diameter is the one used to calculate max allowed capacity in standard condition (see calculation for each model). Sample data; for more detailed evaluations we recommend our product configurator.





SG38 Gearless without fan kit

Rated Torque **490 Nm SG38F (S3 40%)**  
 Braking Torque **2x410 Nm**  
 Power Range (min - max) **2,6 - 19,5 kW**  
 Maximum Static Load **34,3 kN - 3500 kg**  
 Maximum Weight **226 kg**  
 Motor Rated Voltage **360 V - 208 V**



SG38F Gearless with fan kit

## CONFIGURATION EXAMPLES TABLE\*\*

Model	Ø Traction sheave	Car speed	Q Rated load	P Car weight	rpm	P ***	I ***	Installation frequency	Ropes Nr x diameter Ø
	[mm]	[m/s]	[kg]	[kg]	[min <sup>-1</sup> ]	[kW]	[A]	[Hz]	[mm]
SG38145B	120	0,63	2000	1650	199	7,8	18,9	33,4	8x6,5 (*)
SG38145B	120	1	2000	1650	380	12,4	34	53,1	8x6,5 (*)
SG38145B	160	0,63	1600	1600	199	6,3	20,3	25,1	7x6,5 (*)
SG38145B	160	1	1600	1600	254	9,9	24,6	39,8	7x6,5 (*)
SG38145B	160	1,6	1600	1600	380	15,8	36,5	63,5	7x6,5 (*)
SG38145B	200	0,63	1000	1200	120	4,4	12,0	20,1	10x6,5
SG38145B	200	1	1000	1200	199	6,9	18,9	31,8	10x6,5
SG38145B	200	1,6	1000	1200	380	11,1	31,9	50,9	10x6,5
SG38145B	210	0,63	1000	1200	120	4,4	12,6	19,1	10x6,5
SG38145B	210	1	1000	1200	199	6,9	19,9	30,3	10x6,5
SG38145B	210	1,6	1000	1200	291	11,1	26,4	48,5	10x6,5
SG38145B	210	2	1000	1200	380	13,9	33,5	60,6	10x6,5
SG38145B	240	0,63	1000	1200	120	4,3	14,1	16,7	9x6,5
SG38145B	240	1	1000	1200	199	6,8	22,3	26,5	9x6,5
SG38145BF	240	1,6	1000	1200	254	10,9	25,9	42,4	9x6,5
SG38145BF	240	2	1000	1200	380	11,4	31,3	53,1	9x6,5
SG38145BF	320	0,63	800	950	120	3,6	15,8	12,5	6x8
SG38145BF	320	1	800	950	120	5,7	15,8	19,9	6x8
SG38145B	320	0,63	675	930	120	3,0	13,3	12,5	5x8
SG38145B	320	1	675	930	120	5,0	13,8	19,9	6x8
SG38145B	320	1,6	675	930	199	8,0	21,7	31,8	6x8
SG38145BF	320	2	675	930	254	10,0	25,2	39,8	6x8
SG38145BF	320	2,5	675	930	380	12,5	36,6	49,7	6x8

Configurations specifications	
Harmonized standards of reference	EN 81-20 e EN 81-50
Roping	2:1 - Conventional Single Wrap
Machine position	Top
Compartment efficiency	0,9
Nr of defecti on pulleys on ball bearing	2 for rated load ≤ 1000 kg - 3 for rated load > 1000 kg
Counterweight balancing	50%
Travel height	30 m
Duty cycle	S3 40%
Starts/hour	180
Wrap angle	180°
Acceleration	0,3±0,5m/s <sup>2</sup> for car speed ≤ 1 m/s - 0,5±0,7m/s <sup>2</sup> for car speed > 1 m/s

Refer to the product configurator for the value of the short circuit torque, the relative speed and the minimum voltage that allows the operation of gearless machine.

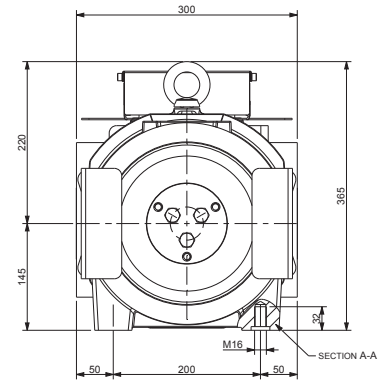
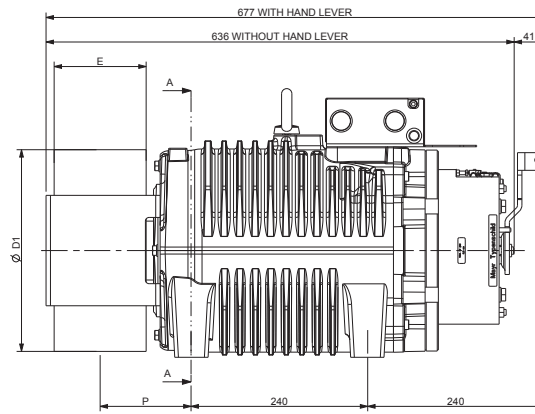
\* Pu-coated ropes

\*\* Sample data; for more detailed evaluations we recommend our product configurator.

\*\*\* Values referred to configuration table (360V)

## SG38 - DIMENSIONS

Mod. SG38145B



Ø D1	E	P	Max Weight	Inertia	Roping System	Torque S3 40%	Max Static Load	Max Power **
[mm]	[mm]	[mm]	[kg]	[kgm <sup>2</sup> ]		[Nm]	[kN - kg]	[kW]
120	125	124	223	0,18	CSW *	410	34,3 - 3500	16,3
160				0,22				
200				0,28				
210				0,33				
240				0,42				
270				0,58				
320	100	111	226	0,68	CSW *	490	34,3 - 3500	19,5
360				0,81				
400				1,10				
480				2,20				
520	110	116	2,55					

### Brake Specifications

**Braking Torque:** 2x410 [Nm]

**Standard Supply Voltage:** 207 [V DC]

**Power:** 2x82 [W]

**Degree of Protection:** IP10

### Standard Encoder Data

**Type:** Absolute EnDat

**Model:** Heidenhain ECN 1313

**Positions values/rev:** 2048 imp 13 bits

**Degree of Protection:** IP40

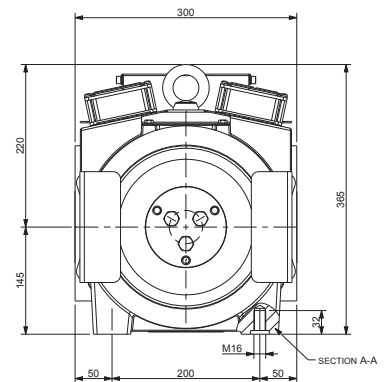
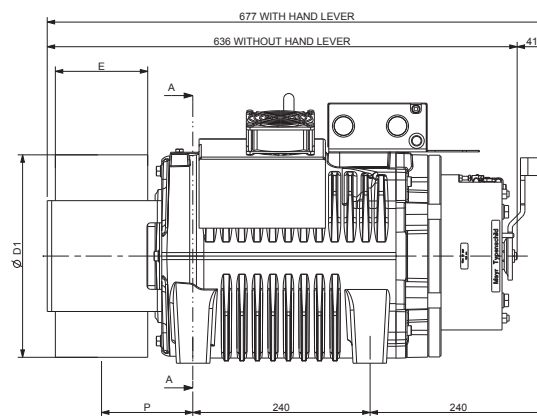
**Standard Cable Length:** 10 [m]

\* CSW: Conventional single wrap.

\*\* Sample data; for more detailed evaluations we recommend our product configurator.

## SG38F - DIMENSIONS

Mod. SG38145BF



Ø D1	E	P	Max Weight	Inertia	Roping System	Torque S3 40%	Max Static Load	Max Power **
[mm]	[mm]	[mm]	[kg]	[kgm <sup>2</sup> ]		[Nm]	[kN - kg]	[kW]
120	125	124	226	0,18	CSW *	490	34,3 - 3500	19,5
160				0,22				
200				0,28				
210				0,33				
240				0,42				
270				0,58				
320	100	111	226	0,68	CSW *	490	34,3 - 3500	19,5
360				0,81				
400				1,10				
480				2,20				
520	110	116	2,55					

### Brake Specifications

**Braking Torque:** 2x410 [Nm]

**Standard Supply Voltage:** 207 [V DC]

**Power:** 2x82 [W]

**Degree of Protection:** IP10

### Standard Encoder Data

**Type:** Absolute EnDat

**Model:** Heidenhain ECN 1313

**Positions values/rev:** 2048 imp 13 bits

**Degree of Protection:** IP40

**Standard Cable Length:** 10 [m]

### Ventilation data

**Voltage:** 220 [V]

**Power:** 2x16 [W]

\* CSW: Conventional single wrap.

\*\* Sample data; for more detailed evaluations we recommend our product configurator.



**Sicor S.R.L.**

Viale Caproni, 32 Rovereto (TN) - Italy • Tel: +39 0464 484 111 • [info@sicoritaly.com](mailto:info@sicoritaly.com)

[www.sicoritaly.com](http://www.sicoritaly.com)