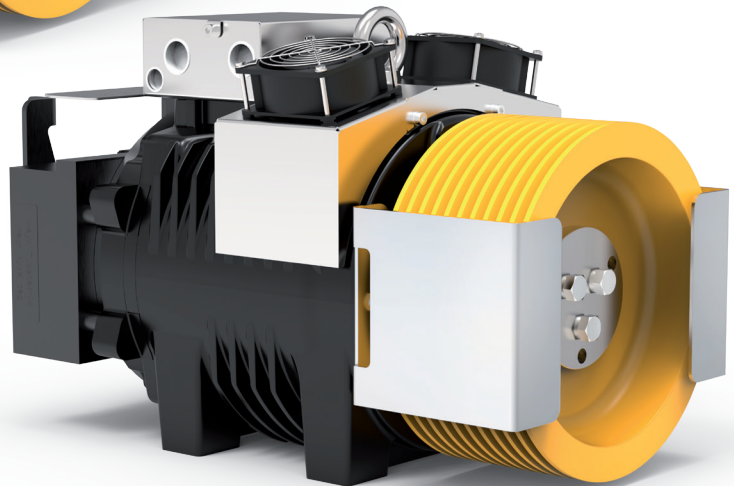
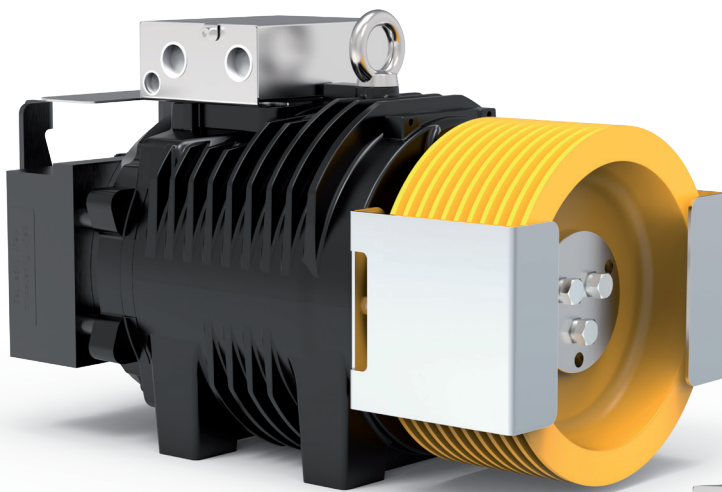



SG15

GEARLESS MACHINES



Model	For rated loads up to [kg]	Car speed range in 2:1 [m/s]	Traction sheaves diameter range [mm]	Max Static Load [kN-kg]
SG15 	1275	0,63 ... 2,00	120(*) , 160(*), 200, 210, 240, 270, 320	27,5-2800

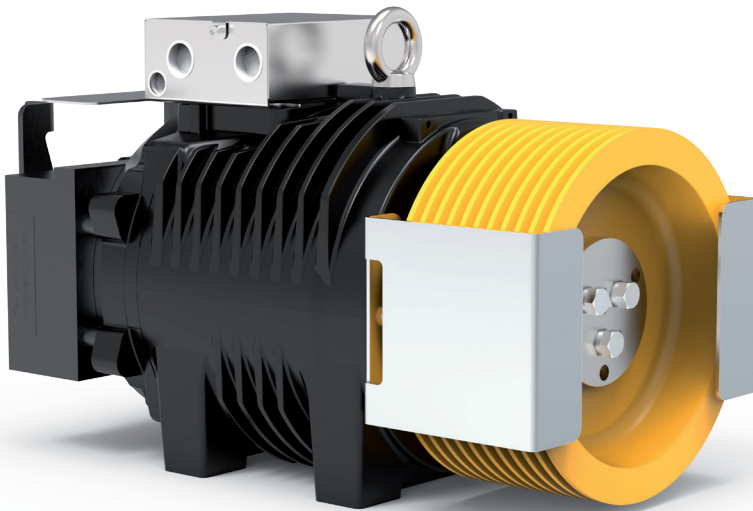
With sheave on drive side.

* Pu-coated ropes.

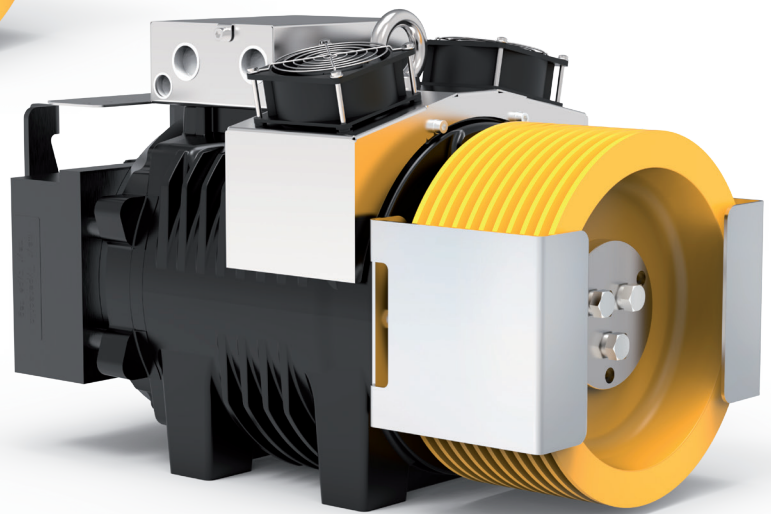
Highlighted pulley diameter is the one used to calculate max allowed capacity in standard condition (see calculation for each model). Sample data; for more detailed evaluations we recommend our product configurator.



Rated Torque **245 Nm SG15F (S3 40%)**
 Braking Torque **2x280 Nm**
 Power Range (min - max) **1,3 - 7,4 kW**
 Maximum Static Load **27,5 kN - 2800 kg**
 Maximum Weight **155 kg**
 Motor Rated Voltage **360 V - 208 V**



SG15 Gearless without fan kit



SG15F Gearless with fan kit

CONFIGURATION EXAMPLES TABLE**

Model	Ø Traction sheave	Car speed	Q Rated load	P Car weight	rpm	P ***	I ***	Installation frequency	Ropes Nr x diameter Ø
	[mm]	[m/s]	[kg]	[kg]	[min-1]	[kW]	[A]	[Hz]	[mm]
SG15145BF	120	0,63	1275	1400	199	4,93	12,5	33,2	6 x Ø 6,5 (*)
SG15145B	160	0,63	800	950	199	3,12	10,5	25,0	4 x Ø 6,5 (*)
SG15145BF	160	1,00	800	950	254	4,94	12,9	39,6	4 x Ø 6,5 (*)
SG15145BF	200	0,63	630	900	120	2,87	7,9	20,0	7 x Ø 6,5
SG15145BF	200	1,00	630	900	199	4,50	12,0	31,7	7 x Ø 6,5
SG15145BF	210	0,63	630	900	120	2,75	8,1	19,1	7 x Ø 6,5
SG15145B	210	1,00	630	900	199	4,41	12,21	30,2	7 x Ø 6,5
SG15145BF	210	1,60	480	700	291	5,64	13,5	48,5	6 x Ø 6,5
SG15145B	240	0,63	480	700	120	2,13	7,2	16,6	5 x Ø 6,5
SG15145BF	240	1,00	480	700	199	3,54	11,2	26,6	6 x Ø 6,5
SG15145BF	240	1,60	480	700	291	5,67	13,7	42,4	6 x Ø 6,5
SG15145BF	320	0,63	400	550	120	1,81	8,1	12,5	3 x Ø 8
SG15145BF	320	1,00	400	550	120	2,87	8,1	19,8	3 x Ø 8
SG15145BF	320	1,60	320	500	199	3,87	10,3	31,8	3 x Ø 8
SG15145BF	320	2,00	320	500	254	4,83	12,6	39,7	3 x Ø 8

Configurations specifications	
Harmonized standards of reference	EN 81-20 e EN 81-50
Roping	2:1 - Conventional Single Wrap
Machine position	Top
Compartment efficiency	0,9
Nr of defecti on pulleys on ball bearing	2 for rated load ≤ 1000 kg - 3 for rated load > 1000 kg
Counterweight balancing	50%
Travel height	30 m
Duty cycle	S3 40%
Starts/hour	180
Wrap angle	180°
Acceleration	0,3±0,5m/s ² for car speed ≤ 1 m/s - 0,5±0,7m/s ² for car speed > 1 m/s

Refer to the product configurator for the value of the short circuit torque, the relative speed and the minimum voltage that allows the operation of gearless machine.

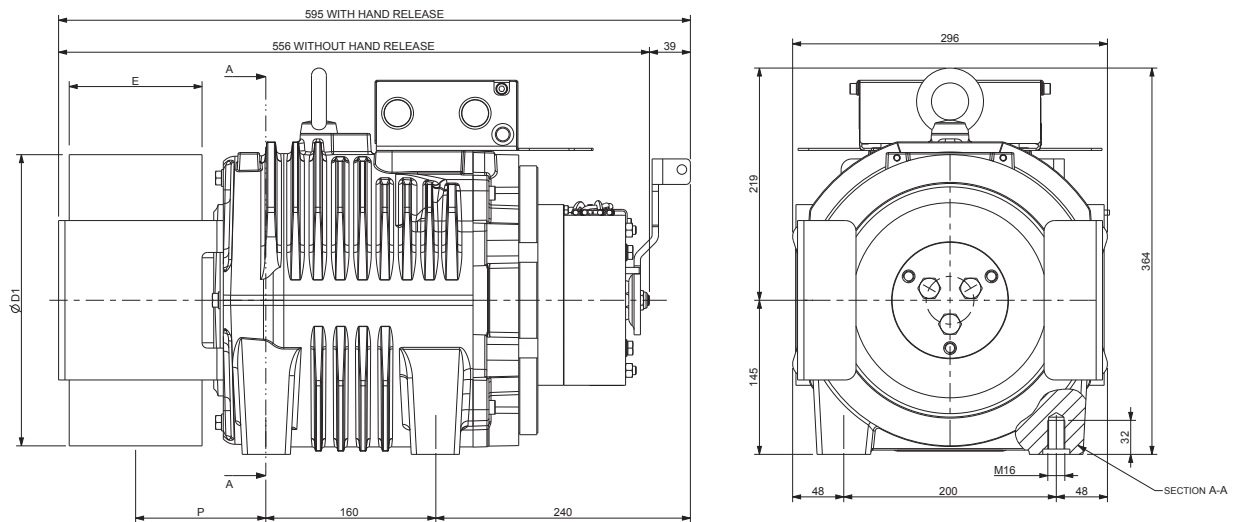
* Pu-coated ropes

** Sample data; for more detailed evaluations we recommend our product configurator.

*** Values referred to configuration table (360V)

SG15 - DIMENSIONS

Mod. SG15145B



Ø D1	E	P	Max Weight	Inertia	Roping System	Torque S3 40%	Max Static Load	Max Power **
[mm]	[mm]	[mm]	[kg]	[kgm ²]		[Nm]	[kN - kg]	[kW]
120	125	122	152	0,10	CSW *	200	27,5 - 2800	6,2
160				0,14				
200				0,22				
210				0,25				
240				0,37				
270				0,48				
320				0,55				
		117						

Brake Specifications

Braking Torque: 2x280 [Nm]

Standard Supply Voltage: 207 [V DC]

Power: 2x79 [W]

Degree of Protection: IP10

Standard Encoder Data

Type: Absolute EnDat

Model: Heidenhain ECN 1313

Positions values/rev: 2048 imp 13 bits

Degree of Protection: IP40

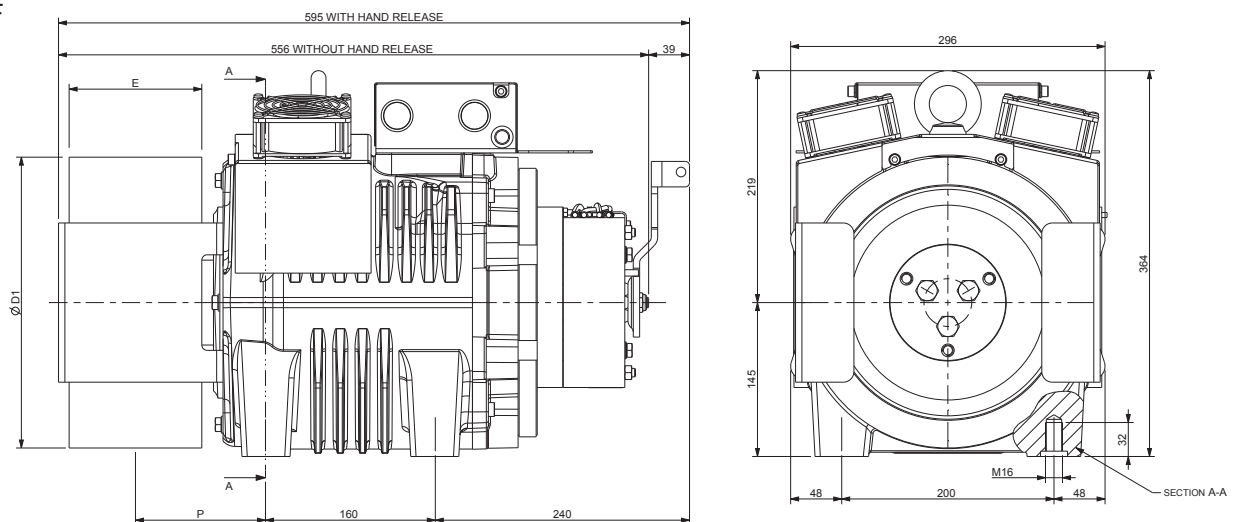
Standard Cable Length: 10 [m]

* CSW: Conventional single wrap.

** Sample data; for more detailed evaluations we recommend our product configurator.

SG15F - DIMENSIONS

Mod. SG15145BF



Ø D1	E	P	Max Weight	Inertia	Roping System	Torque S3 40%	Max Static Load	Max Power **
[mm]	[mm]	[mm]	[kg]	[kgm ²]		[Nm]	[kN - kg]	[kW]
120	125	122	155	0,10	CSW *	245	27,5 - 2800	7,4
160				0,14				
200				0,22				
210				0,25				
240				0,37				
270				0,48				
320				0,55				
		117						

Brake Specifications

Braking Torque: 2x280 [Nm]

Standard Supply Voltage: 207 [V DC]

Power: 2x79 [W]

Degree of Protection: IP10

Standard Encoder Data

Type: Absolute EnDat

Model: Heidenhain ECN 1313

Positions values/rev: 2048 imp 13 bits

Degree of Protection: IP40

Standard Cable Length: 10 [m]

Ventilation data

Voltage: 220 [V]

Power: 2x16 [W]

* CSW: Conventional single wrap.

** Sample data; for more detailed evaluations we recommend our product configurator.



Sicor S.R.L.

Viale Caproni, 32 Rovereto (TN) - Italy • Tel: +39 0464 484 111 • info@sicoritaly.com

www.sicoritaly.com