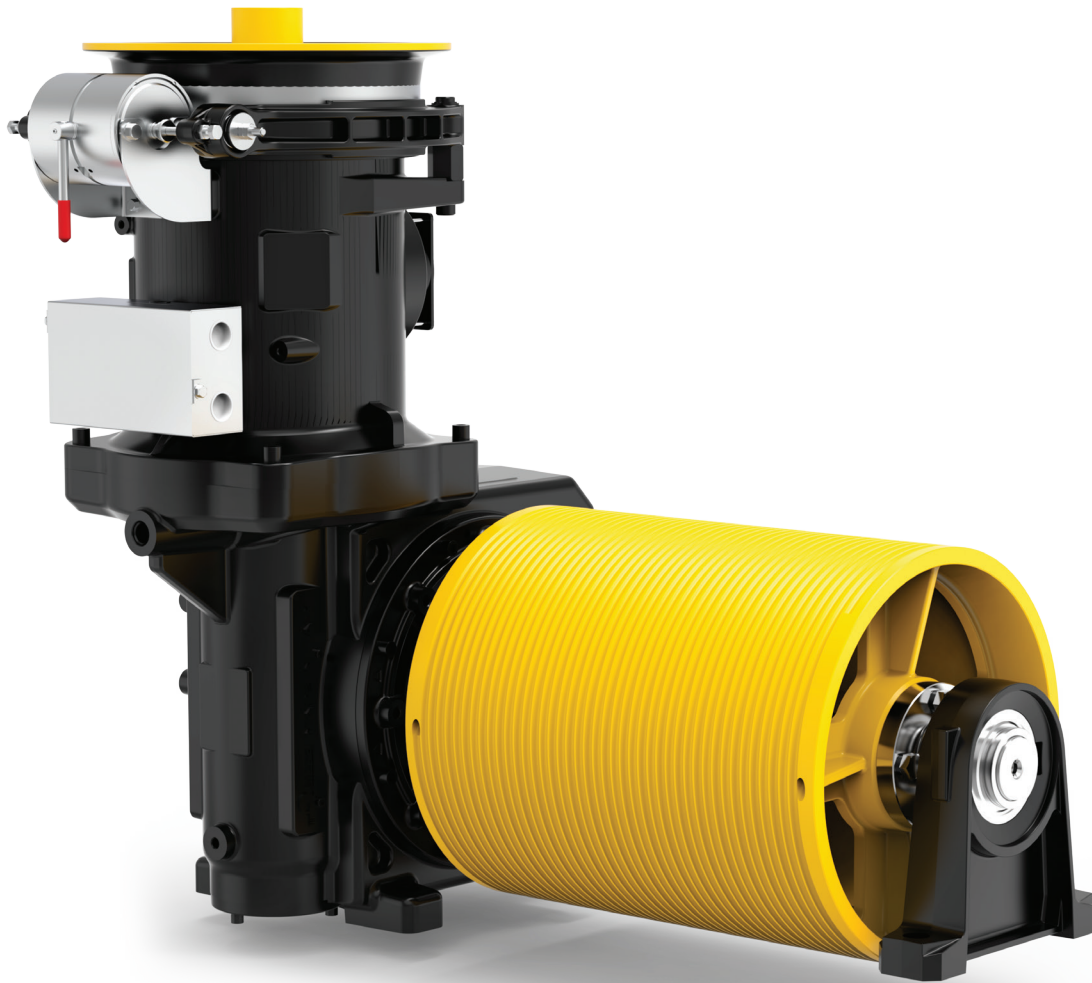



# SH160T

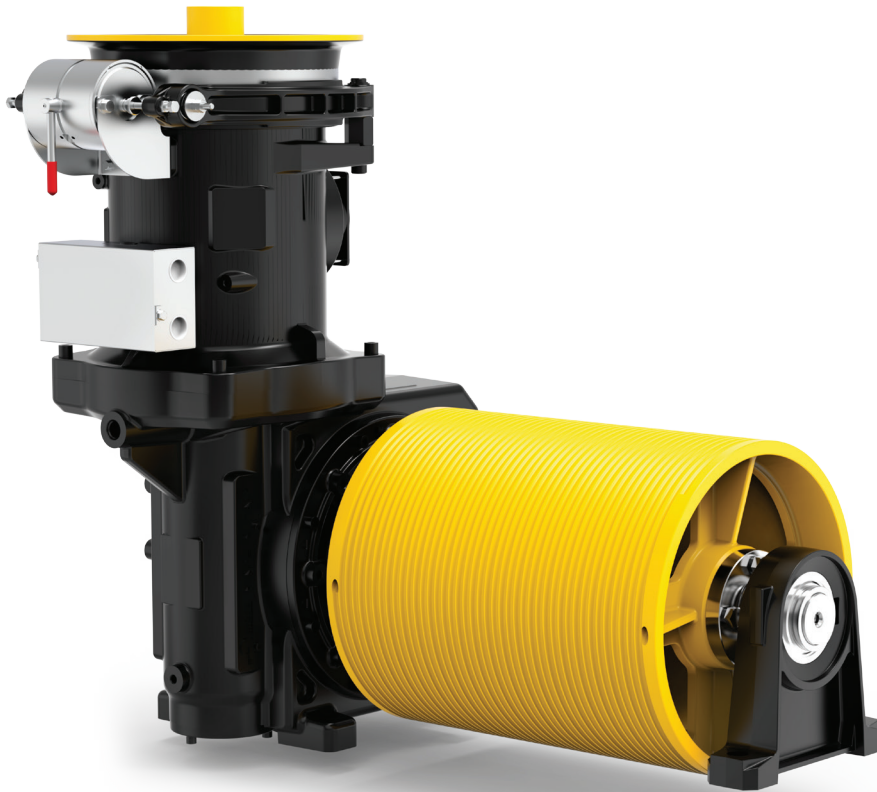
## GEARED MACHINES



Model	For rated loads up to	Speed range synchronous	Traction sheaves diameter	Max Static Load	Carico statico Max
	[kg]	50Hz [m/s]	60Hz [m/s]	[mm]	[kN-kg]
SH160T 	400	0,63	--	400	--

Roping 1 : 1





Power Range 50 Hz 4 poles VVVF **9 - 11 kW**

Ratio **1/43**

Speed synchronous **0,63 m/s**

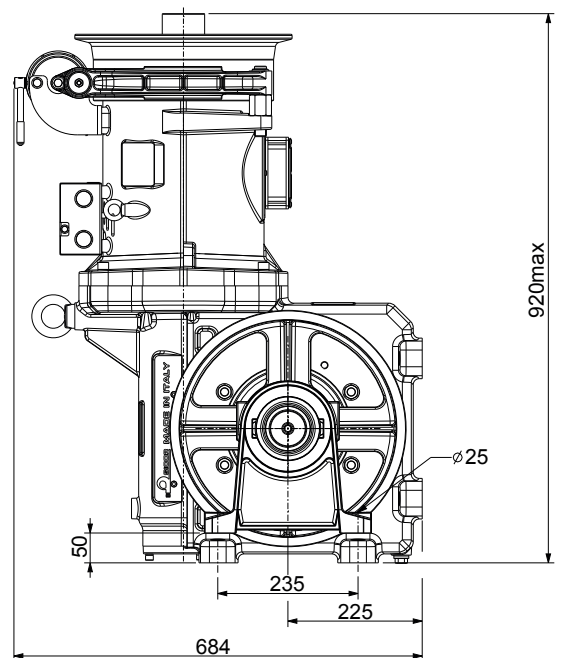
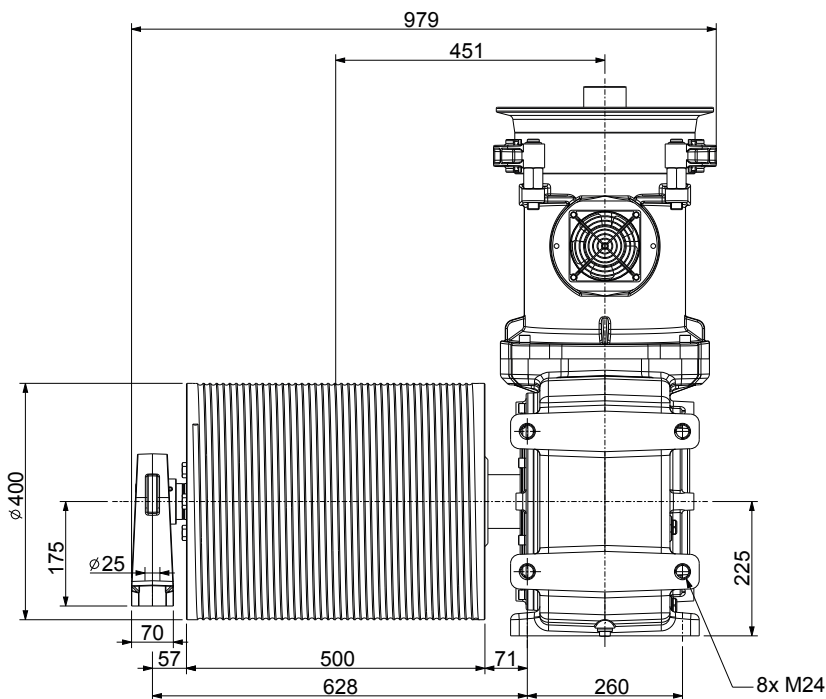
Geared Weight **550 kg**

Oil capability **9 l**

Geared machine Rh o Lh (see from motor)

## DIMENSIONS

Brake Electromagnet		
[V]	[A]	[W]
24	9,71	233
48	4,85	233
60	3,96	238
80	2,70	216
110	1,83	201
200	1,05	210



**DUTY TABLE**

Roping 1:1

		50Hz					
		VVVF 1500 rpm 4 Poles					
		Motor Output [kW]					
		VVVF 9	VVVF 11				
R.R.	Traction Drum Ø	Installation frequency	Max Rated Load		Max cabin load	Ropes Nr x diameter Ø	Max travel with 2 parallel ropes
[i]	[mm]	[Hz]	[kg]	[kg]	[kg]	[mm]	[m]
1/43	400	43	225	--	500	2 x Ø8 (*)	29
						2 x Ø9 (*)	26
						2 x Ø10	23
		43	320	--	400	2 x Ø8 (*)	29
						2 x Ø9 (*)	26
						2 x Ø10	23
		43	--	400	500	2 x Ø9 (*)	26
						2 x Ø10 (*)	23

Rated load values listed in the table include the weight of the ropes.

To know the theoretical load, subtract the weight of the ropes.

Position Of The Geared = Top Plant efficiency = 0,80

(\*) high tensile strenght ropes

**ELECTRIC MOTOR DATA**

		50Hz			
		VVVF 1500 rpm 4 Poles			
		Asynchronous Rated Power [kW]			
		VVVF 9	VVVF 11		
		Motor Parameters			
Rated Voltage (star connection) <sup>(1)(3)</sup>	[V]	400	400		
Frequency	[Hz]	50	50		
Synchronous Speed	[rpm]	1500	1500		
Asynchronous Speed	[rpm]	1471	1470		
Rated Current <sup>(2)</sup>	[A]	19	22		
Rated Torque	[Nm]	58	72		
Cos φ Power Factor	[ ]	0,8	0,81		
Starting Current	[A]	87	94		
Starting Torque	[Nm]	80	86		
Duty Cycle	[%]	60	60		
Starts per Hour	[s/h]	240	240		
Insulation Class	[ ]	F	F		
Degree of Protection IP	[ ]	IP21	IP21		

(1) The motors are standard supplied with star connection ( Y ), the customer can arrange a delta connection ( Δ ).

(2) The indicated current values are related to 400V voltage. For current values with delta connection, multiply the values by 1,732.

(3) The standard supply voltage is suitable for 380-400V/220-230V power supplies.

The geared machine includes a fan, 1~220...240V, 50/60Hz, 0,7A.

Available on request 115V supply voltage.

The inertia value includes the high speed shaft, while the flywheel is excluded.



**Sicor S.R.L.**

Viale Caproni, 32 Rovereto (TN) - Italy • Tel: +39 0464 484 111 • [info@sicoritaly.com](mailto:info@sicoritaly.com)

[www.sicoritaly.com](http://www.sicoritaly.com)